

Style 100 Single-Sphere Connectors

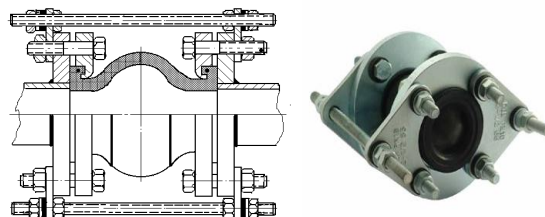
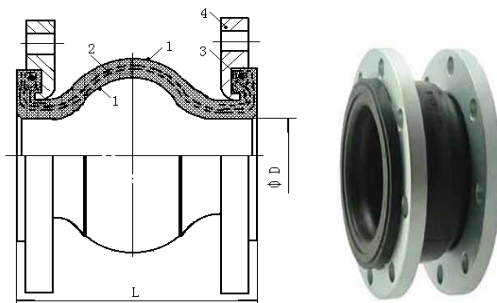
Structure

Item No	Part	Material
1	Body	CR, EPDM, IIR, NBR, CSM, VITON
2	Reinforce	Nylon Cord Fabric
3	Wire	Hard Steel Wire
4	Floating Flange	Mild Steel Zinc Plated RST 37-2

Flanges drilling: Available ANSI B 16.5, DIN 2501, JIS B 2210, BS 4504, AS 2129, ISO 7005, etc. and other standard drilling for your specifications.

Features

- 1, Four way greater movements provide high level of installation flexibility.
- 2, Precision molded of synthetic rubber reinforced with nylon cord.
- 3, Excellent ability to absorb vibration and sound, withstand high pressure
- 4, Withstand chemical corrosion, to resist acid and ozone attack.
- 5, Easy to install, use floating flanges.



Application

Colour Code	Tube in Material	Cover out Material	Application
Blue	Neoprene	Neoprene	Excellent Aging resistance, for alkaline and acid salt solutions and aldehydes.
Red	EPDM	EPDM	Higher temp. good ozone resistance, resilience, bend easier lower temp, but not suitable for oils.
Black	Butyl	Butyl	Lower impermeable; resistance offer to ozone, weather, abrasion, chemical.
Yellow	Nitrile	Neoprene	Recommend for oils, greases, petrol, fats, glycols, alcohols, ethers and gas.
White	Nitrile	Nitrile	For drinking water or food grade white color quality up to 150 psi/10bar at 158F/70°C
Green	Hypalon	Hypalon	Ozone resistance sunlight stable, for strong acids, alkalis and chemicals.

Specification

Nominal	Diameter	Face to Face mm	Temp. °C	Travel mm Total Compressed	Allowable Movement (mm)				Pressures	
					Axial Compression	Axial Extension	Lateral Deflection	Angular Deflection	Positive PSIG/BAR at F/80 °C	Negative Vacuum mmHg
1-1/4"	32	95	-30-110	80-105	15	10	15	20	150(10)	450
1-1/2"	40	95	-30-110	80-105	15	10	15	20	150(10)	450
2"	50	105	-30-110	85-107	20	12	15	20	150(10)	375
2-1/2"	65	115	-30-110	95-127	20	12	15	20	150(10)	375
3"	80	130	-30-110	110-142	20	12	17	20	150(10)	225
4"	100	135	-30-110	110-152	25	17	20	15	150(10)	225
5"	125	170	-30-110	145-187	25	17	20	15	150(10)	225
6"	150	180	-30-110	165-197	25	17	20	15	150(10)	225
8"	200	205	-30-110	180-225	25	20	22	10	150(10)	150
10"	250	240	-30-110	215-260	25	20	22	10	150(10)	150
12"	300	260	-30-110	235-280	25	20	22	10	150(10)	150
14"	350	265	-30-110	240-285	25	20	22	5	150(10)	75
16"	400	265	-30-110	240-285	25	20	22	4	150(10)	75
18"	450	265	-30-110	240-285	25	20	22	4	150(10)	75
20"	500	265	-30-110	240-285	25	20	22	3	150(10)	75
24"	600	265	-30-110	240-285	25	20	22	3	150(10)	75
28"	700	265	-30-110	240-285	25	20	22	2	85(6)	75
32"	800	265	-30-110	240-285	25	20	22	2	85(6)	75
36"	900	265	-30-110	240-285	25	20	22	2	85(6)	75
40"	1000	300	-30-110	270-320	30	20	22	2	85(6)	75
48"	1200	300	-30-110	270-320	30	20	22	2	85(6)	75

Operation Conditions

Size	Working Pressure	Burst Pressure	NOTES
1-1/4" - 6"	10 kg/cm ²	40 kg/cm ²	
8" - 12"	10 kg/cm ²	40 kg/cm ²	suggest tie rod installed
14" - 20"	10 kg/cm ²	30 kg/cm ²	suggest tie rod installed
24" - 48"	6kg/cm ²	24 kg/cm ²	tie rod installed request