



Breakaway couplings ASVL series

The control cable breakaway coupling with a high flow rate

The pressure loss of these breakaway couplings was optimised and significantly improved. The design is based on models from nature such as dolphins and squids and was developed with the aid of CFD or computational fluid dynamics analysis.



Separation by relative movement

Just like the other RS series breakaway couplings, the ASVL series breakaway coupling with cable triggering protects against industrial accidents. It protects the hose or flanged systems such as pipes from too much of a burden, even in the case of non-axial burdens. Separation occurs by means of a path-controlled load cable that must be shorter than the connected hose line. After separation, the valves close and prevent the medium from escaping from the hose and tube side, thus protecting humans and the environment.

In comparison to conventional breakaway couplings, the control cable breakaway coupling offers even greater potential savings of energy and time. Pressure loss has been reduced to a minimum; at the same time, the flow rate has been improved.

The energy reduced and time gained during the loading process deliver real financial savings.

Attributes

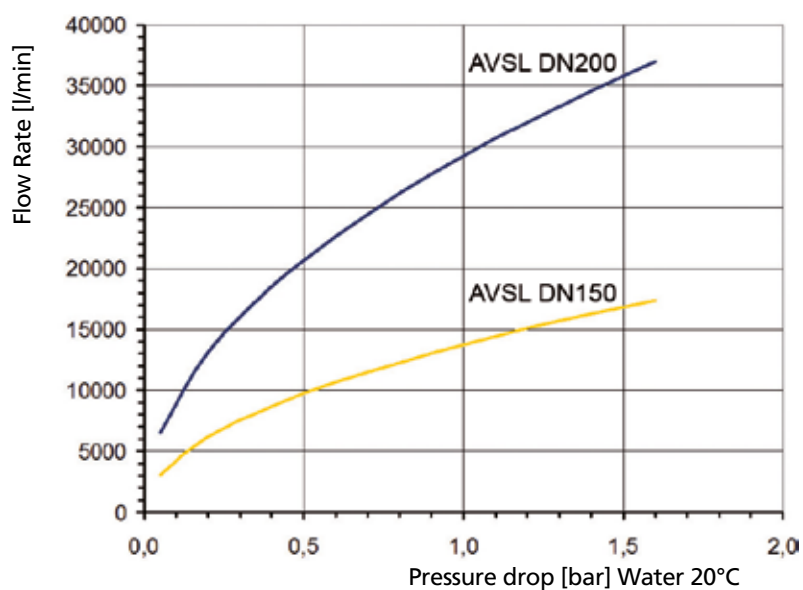
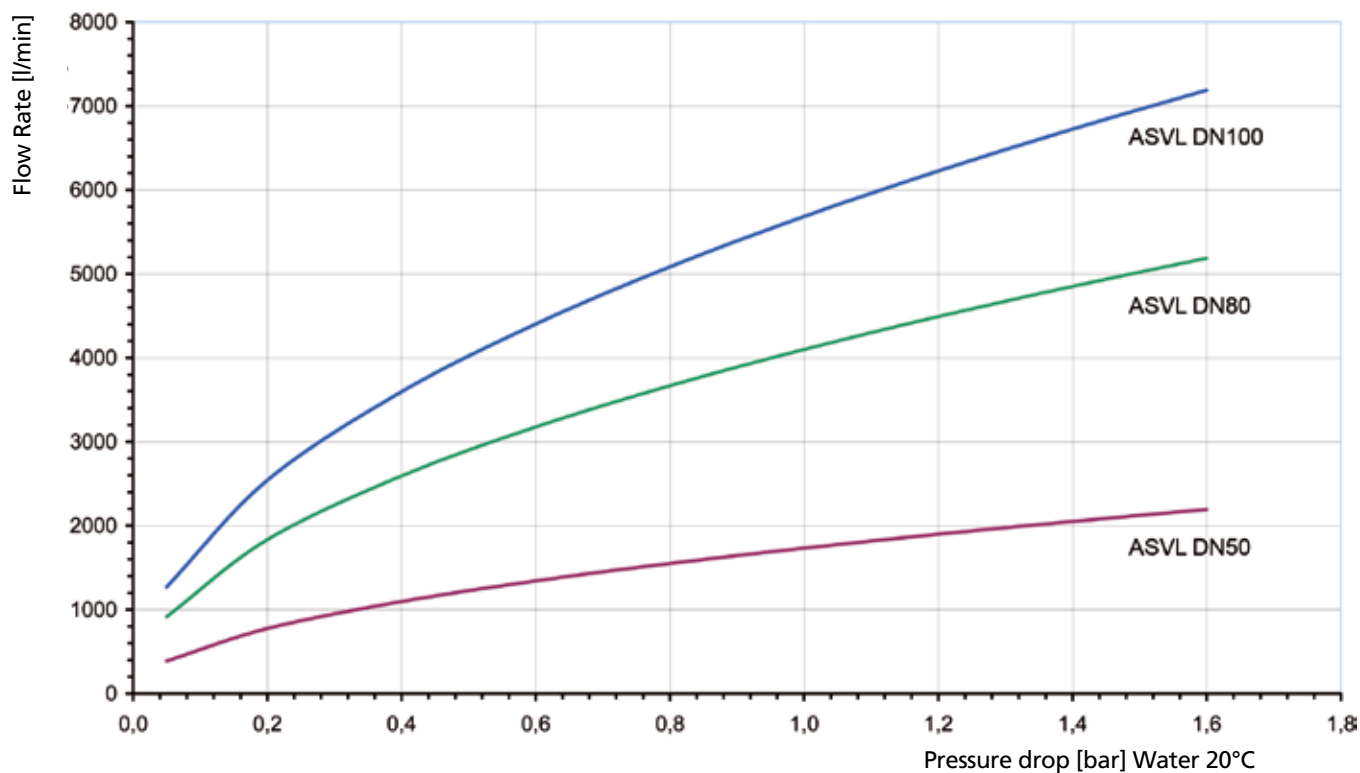
- Significant increase of flow-through with the same nominal width
- Fewer parts for safe handling and simple maintenance
- Low amounts of emissions through fast closing valves
- Flow-through possible in both directions

Your benefits at a glance

- High throughput rates
- Significant reduction of the pressure loss
- Safe triggering at breakaway angles of up to 90°
- Control cable version for hoses that cannot transmit tensile forces
- Protects employees and the environment from unwanted product leakages
- Protected hose connections
- Various connection formats available thanks to modular structure

Separation instead of emergency

Pressure losses



Additional technical information

Technical data

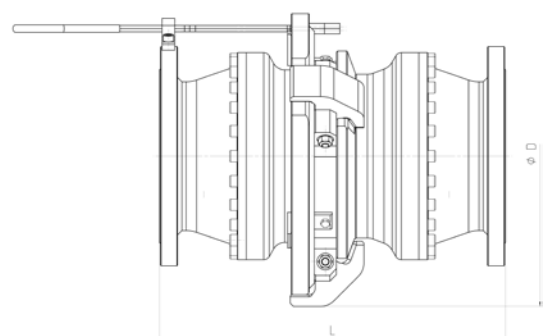
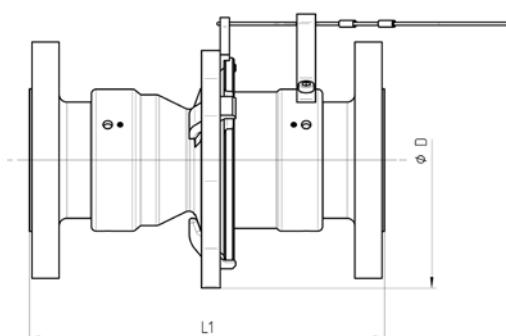
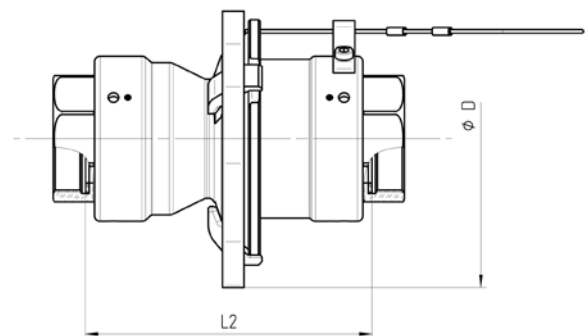
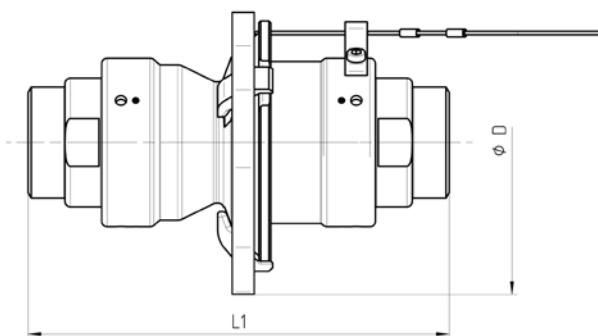
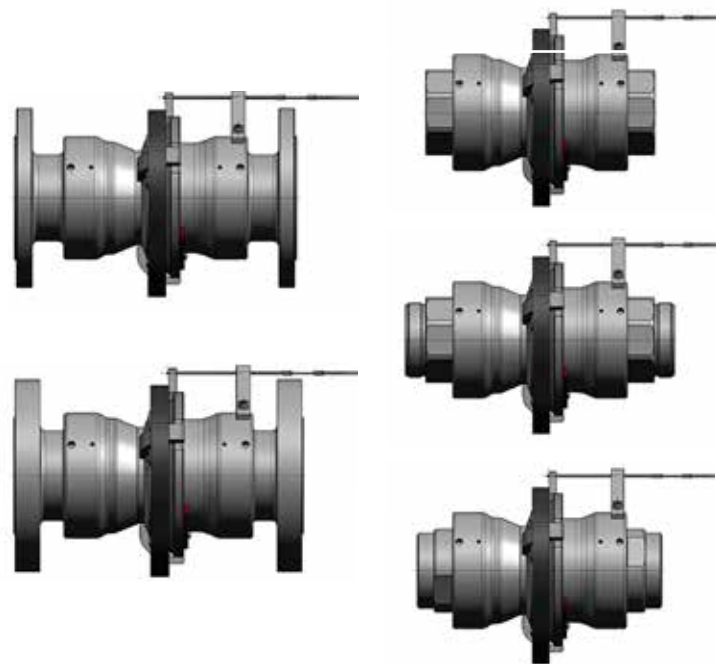
- Safe triggering at angles up to 90°
-
- High-quality sealing materials
O-ring: FKM
NBR
EPDM
FFKM
Others on request
-
- Materials: Stainless steel (1.4571)
E-CTFE coating for aggressive media
Others on request
-
- Connection: 1" to 4" female thread BSP or NPT
flange in accordance with EN 1092 or ASME
-
- Nominal widths: DN 50 to DN 200
Others on request
-
- Temperature range: -40 °C to 150 °C
-
- Pressure area: 0,8 to 25 bar
Others on request

Approvals/certificates

- Approved acc. to WHG § 19, by DIBT (German Institute for Building Technology)
- ATEX Zone 1 approved
- TA Luft (German Clean Air Act) approved
- EC type examination

Triggering forces

Type ASVL (DN)	50	80	100	150	200
Triggering force 25 bar [kN], tension direction: 0°	On request	On request	1,2	2,8	4,3
Triggering force 25 bar [kN], tension direction: 90°	On request	On request	2	5,0	6,5



Additional technical information

Dimensions and weights

Type ASV-L (DN)	50								
Connection	G2" IG PN25	G2" AG PN25	2"NPT IG PN25	2"NPT AG PN25	ASA 150 PSI PN25	ASA 300 PSI PN25	AE 60,3x3,91 PN25	EN 1092-B PN25	EN 1092-B PN16
D (mm)	165	165	165	165	188,5	188,5	165	188,8	188,5
L1 (mm)	195	235	201	244	229	229	229	229	229
L2 (mm)	159	--	132,6	205,6	--	--	--	--	--
SW	70	70	70	70	--	--	65	--	--
Weight* (kg)	5,7	6	5,9	6,1	10	11,4	5,7	10,9	10,4

Type ASV-L (DN)	80								
Connection	G3" IG PN25	G3" AG PN25	3"NPT IG PN25	3"NPT AG PN25	AE 88,9x5,49 PN16	ASA 150 PSI PN10	ASA 300 PSI PN25	EN 1092-B PN25	EN 1092-B PN25
D (mm)	220	220	220	220	220	240	240	240	240
L1 (mm)	270	318	288	345	338	316	316	316	324
L2 (mm)	228	--	227	284	--	--	--	--	--
SW	100	100	100	100	90	--	--	--	--
Weight* (kg)	16,2	16,4	16,8	16,4	16,2	24,7	27,8	27,8	24,3

Type ASV-L (DN)	100								
Connection	G4" IG PN25	G4" AG PN25	4"NPT IG PN25	4"NPT AG PN25	AE 114,3x6,02 PN25	ASA 150 PSI PN10	ASA 300 PSI PN25	EN 1092-B PN25	EN 1092-B PN16
D (mm)	295	295	295	295	295	295	295	295	295
L1 (mm)	336	386	378	437	405	380	390	392	400
L2 (mm)	282	--	312	371	--	--	--	--	--
SW	125	125	125	125	125	--	--	--	--
Weight* (kg)	--	--	--	--	--	37,8	45,6	34,2	37

Type ASV-L (DN)	150			200			
Connection	ASA 150 PSI PN10	ASA 300 PSI PN25	EN 1092-B PN16	ASA 150 PSI PN16	ASA 300 PSI PN25	EN 1092-B PN25	EN 1092-B PN16
D (mm)	370,5	370,5	370,5	473	473	473	473
L1 (mm)	432	432	432	542	542	532	532
L2 (mm)	--	--	--	--	--	--	--
SW	--	--	--	--	--	--	--
Weight* (kg)	82,7	98,4	80,4	156,6	179,4	159,4	151,3

*The weight applies to stainless steel only.