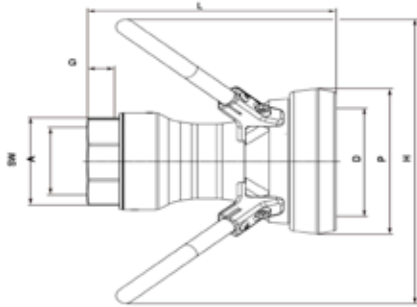


## HDC-CPL 4" Aluminum

Dry-Release Coupler

PART ID: 8CPLAV04



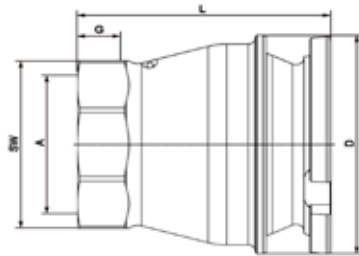
Material: Aluminum

| NPS Size | D Socket | A Connection    | G Thread Length | L Length      | P Protection Ring | H (with Handles) | Weight kg/lbs   | Pressure*           |
|----------|----------|-----------------|-----------------|---------------|-------------------|------------------|-----------------|---------------------|
| 4"       | 164 mm   | BSP ISO 228-G 4 | 24 mm/0.94"     | 295 mm/11.61" | 210 mm            | 410mm            | 8.1 Kg/17.85lbs | 16-25bar/232-362psi |
| 4"       | 164 mm   | NPT ANSI B2.1   | 35 mm/1.38"     | 295 mm/11.61" | 210 mm            | 410mm            | 8.0 Kg/17.63lbs | 16-25bar/232-362psi |

## HDC-ADP 4" Aluminum

Dry-Release Adapter

PART ID: 8ADPAV04



Material: Aluminum

| NPS Size | D Socket | A Connection    | G Thread Length | L Length     | Weight kg/lbs  | Pressure*           |
|----------|----------|-----------------|-----------------|--------------|----------------|---------------------|
| 4"       | 164 mm   | BSP ISO 228-G 4 | 24 mm/0.94"     | 156 mm/6.14" | 3.4 Kg/7.49lbs | 16-25bar/232-362psi |
| 4"       | 164 mm   | NPT ANSI B2.1   | 35 mm/1.38"     | 166 mm/6.53" | 3.6 Kg/7.93lbs | 16-25bar/232-362psi |

\*High pressure model 25bar/362psi WP available